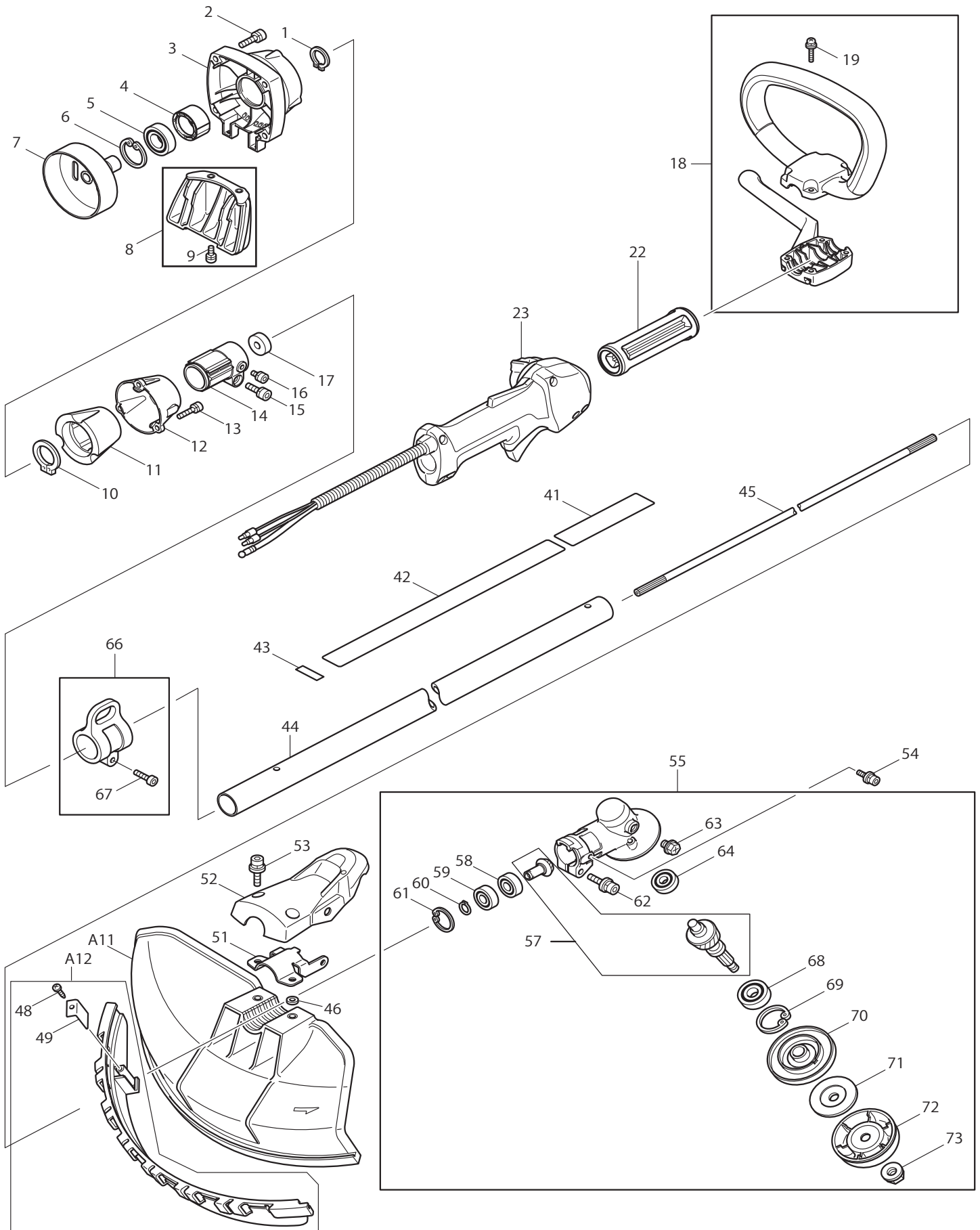


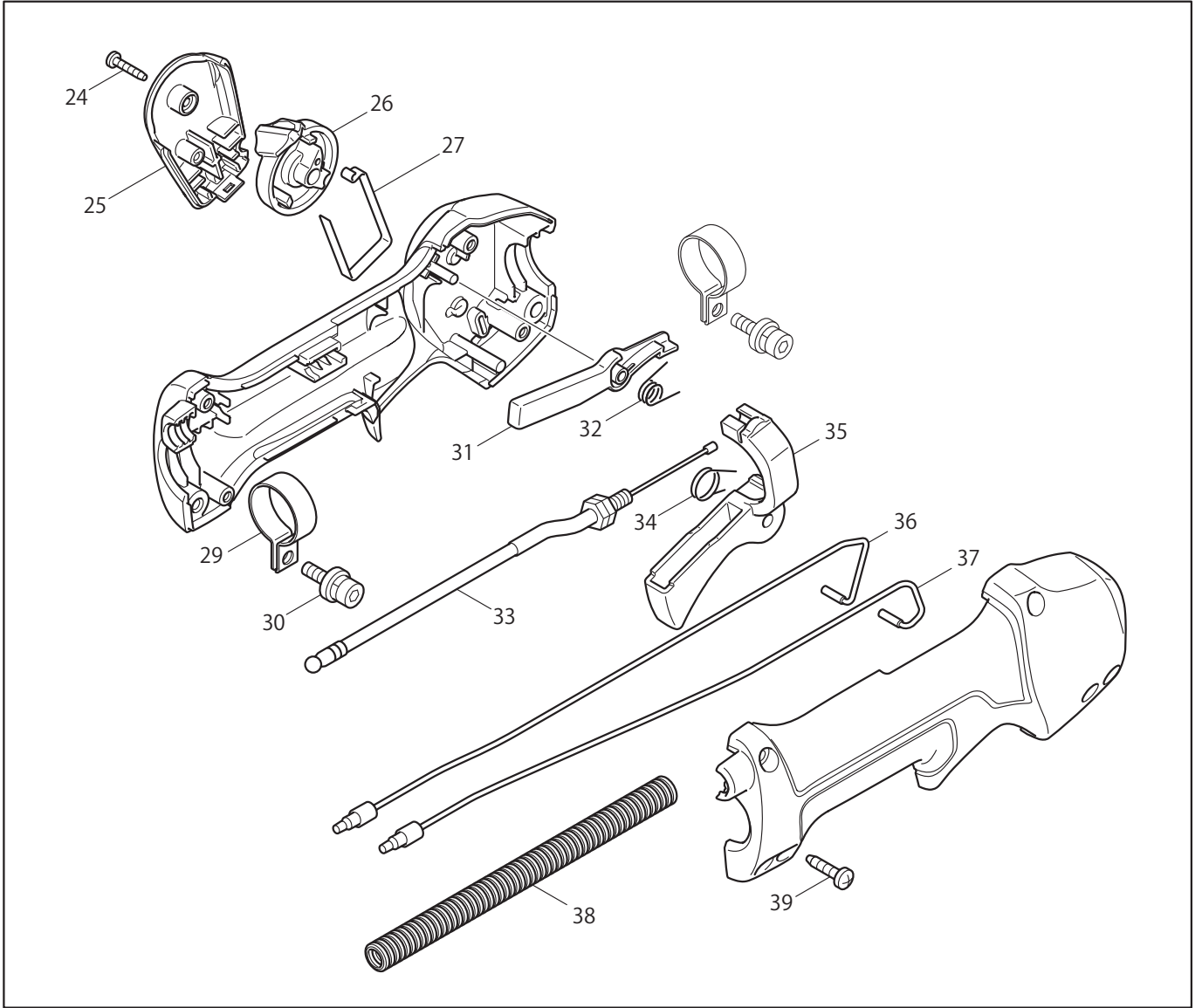


12 - 2016

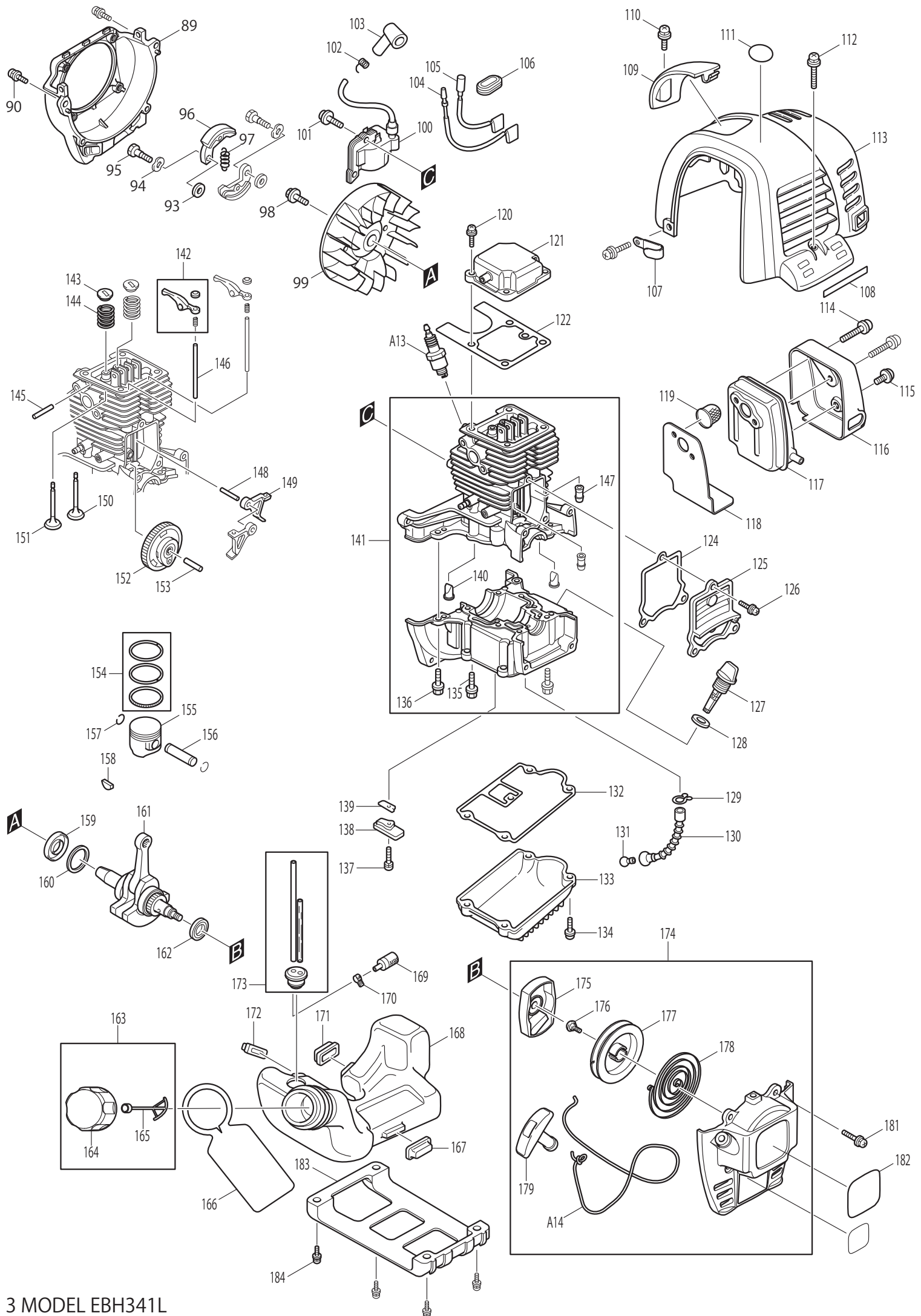
EBH341L

### 33.5CC Gasoline Line Trimmer, Loop Handle

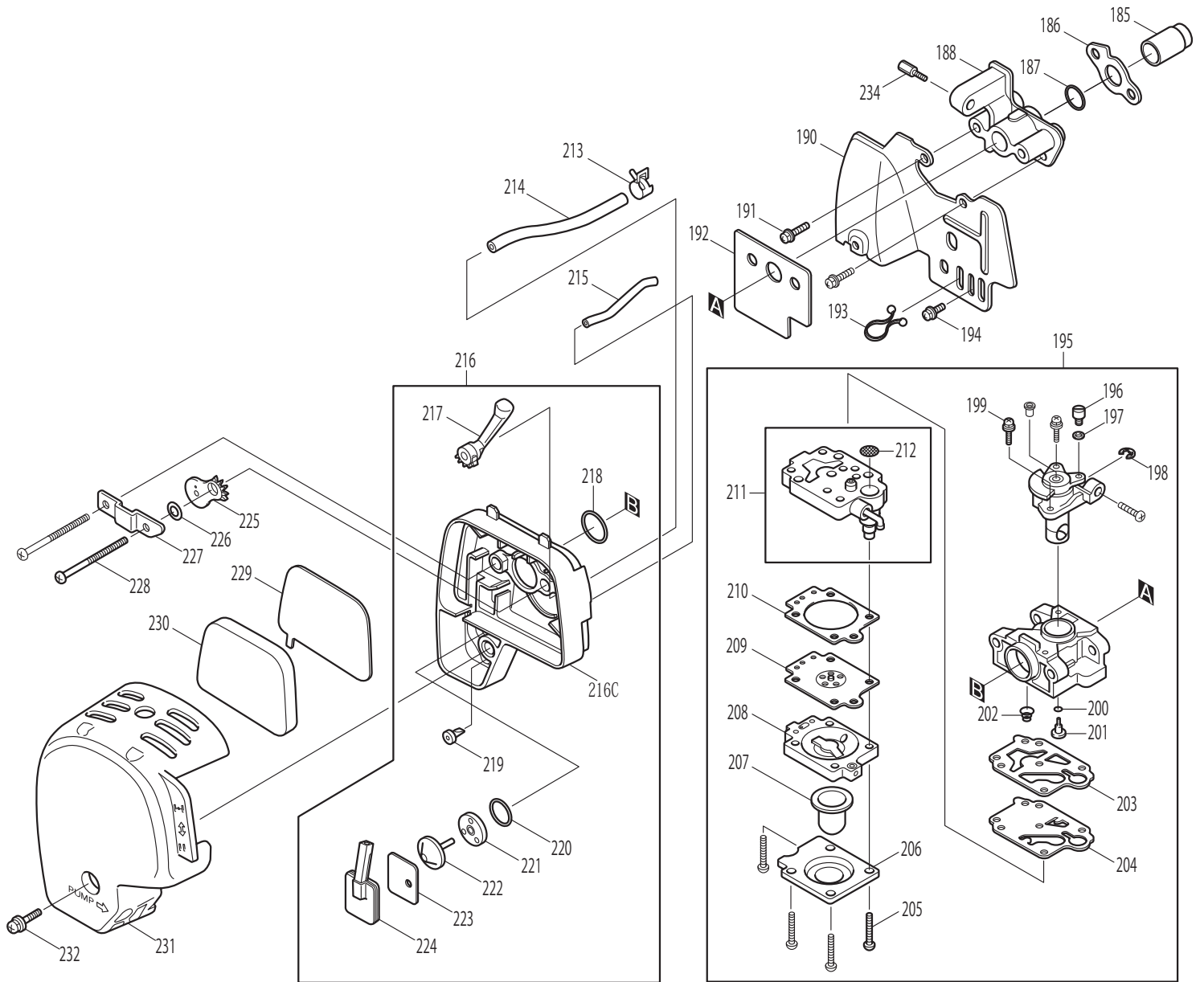




23



3 MODEL EBH341L



Item No	Type	Part No	Description	Qty	Unit
001		961057-5	RETAINING RING S-17	1	PC.
002		922331-6	HEX SOCKET HEAD BOLT M6X20	4	PC.
003		318421-5	CLUTCH CASE	1	PC.
004		451157-4	SPACER	1	PC.
005	1	211338-0	BALL BEARING 6003LLU	1	PC.
	2	210126-2	BALL BEARING 6003LLU	1	PC.
006		962153-2	RETAINING RING R-35	1	PC.
007		165577-3	CLUTCH DRUM	1	PC.
008		195144-0	STAND SET	1	PC.
	INC.		Item No. 9		
009		911218-7	PAN HEAD SCREW M5X14	2	PC.
010		961151-3	RETAINING RING S-32	1	PC.
011		424204-4	DAMPER	1	PC.
012		318453-2	PIPE RETAINER	1	PC.
013		922231-0	HEX SOCKET HEAD BOLT M5X20	3	PC.
014		318454-0	PIPE BRACKET	1	PC.
015		922331-6	HEX SOCKET HEAD BOLT M6X20	1	PC.
016		922201-9	HEX SOCKET HEAD BOLT M5X8	1	PC.
017		443146-3	FELT RING 8	1	PC.
018		195251-9	LOOP HANDLE SET	1	PC.
	INC.	783014-1	+ SCREW DRIVER 2	1	PC.
	INC.		Item No. 19		
019		911253-5	PAN HEAD SCREW M5X30	4	PC.
022		451600-3	SPACER 28	1	PC.
023		125760-4	CONTROL LEVER ASSEMBLY	1	PC.
	INC.		Item No. 24-27, 30-39		
024		266130-9	TAP SCREW BIND PT M3X16	1	PC.
025		451595-0	SWITCH COVER	1	PC.
026		451594-2	SWITCH LEVER	1	PC.
027		232251-9	LEAF SPRING	1	PC.
029		346249-1	PIPE CLAMP 28	2	PC.
030		922218-2	HSH BOLT M5X14 W/WR	2	PC.
031		451593-4	LOCK LEVER	1	PC.
032		233541-3	TORSION SPRING 7	1	PC.
033		168549-7	CONTROL CABLE	1	PC.
034		233540-5	TORSION SPRING 11	1	PC.
035		451592-6	THROTTLE LEVER	1	PC.
036		638676-9	LEAD UNIT	1	PC.
037		638677-7	LEAD UNIT	1	PC.
038		451602-9	CORRUGATED TUBE	1	PC.
039		266326-2	TAPPING SCREW M4X18	4	PC.
041		819312-8	MAKITA LOGO LABEL	1	PC.
042		810561-0	CAUTION LABEL	1	PC.
043		814E64-6	SERIAL NO. LABEL	1	PC.
044		140042-3	SHAFT PIPE COMPLETE	1	PC.
045		325675-7	SHAFT	1	PC.
046		413143-3	WASHER	2	PC.
048		266326-2	TAPPING SCREW 4X18	1	PC.
049		346074-0	CUTTER	1	PC.
051		346072-4	PROTECTIVE GUARD CLAMP	1	PC.
052		451090-0	PROTECTIVE GUARD COVER	1	PC.
053		266579-3	HEX SOCKET HEAD BOLT M6X30	2	PC.
054		922218-2	HSH BOLT M5X14 W/WR	2	PC.
055	2	123835-3	* GEAR CASE ASSEMBLY	1	PC.
	INC.		* Item No. 57-64,68-73		
057	1	188865-1	CUTTER SHAFT SET	1	PC.
	3	183K07-8	CUTTER SHAFT SET	1	PC.
058	2	210161-0	BALL BEARING 6000	1	PC.
059	2	210160-2	BALL BEARING 6000ZZ	1	PC.
060	2	257408-1	RETAINING RING S-10	1	PC.
061	2	257988-7	RETAINING RING R-26	1	PC.

Item No	Type	Part No	Description	Qty	Unit
062		922353-6	HSH BOLT M6X30	1	PC.
063		265590-2	+ HEX HEAD BOLT M8X10 WITH RESIN	1	PC.
064	2	210159-7	BALL BEARING 629ZZ	1	PC.
066		125558-9	HANGER ASSEMBLY	1	PC.
	INC.		Item No. 67		
067		922232-8	HEX SOCKET HEAD BOLT M5X20	1	PC.
068		210116-5	BALL BEARING 6201LLU	1	PC.
069	2	257409-9	RETAINING RING R-32	1	PC.
070	3	326823-1	RECEIVE WASHER	1	PC.
071		346355-2	CLAMP WASHER	1	PC.
072		168526-9	CUP	1	PC.
073		264025-0	HEX NUT M10-17	1	PC.
089		318614-4	BLOWER HOUSING	1	PC.
090		922223-9	HSH BOLT M5X16 W/WR	4	PC.
093		253762-1	FLAT WASHER 8	2	PC.
094		267832-0	WAVE WASHER 10	2	PC.
095		266571-9	SHOULDER HEX BOLT M8X23	2	PC.
096		125757-3	CLUTCH ASSEMBLY	1	PC.
	INC.	AN04002000	CLUTCH SHOE	2	PC.
	INC.		Item No. 97		
097		AN02010C00	TENSION SPRING 9	1	PC.
098		265577-4	HEX HEAD BOLT M6X16	1	PC.
099	1	318611-0	FLYWHEEL	1	PC.
	2	319035-3	FLYWHEEL	1	PC.
100		168816-0	IGNITION COIL	1	PC.
101		922138-0	HSH BOLT M4X20 W/WR	2	PC.
102		324891-8	PLUG CAP SPRING	1	PC.
103		424105-6	PLUG CAP	1	PC.
104		632E38-3	LEAD UNIT	1	PC.
105		632E39-1	LEAD UNIT	1	PC.
106		424313-9	GROMMET	1	PC.
107		345963-6	CLAMP	1	PC.
108		814995-9	SERIAL LABEL	1	PC.
109		451876-2	PLUG COVER	1	PC.
110		266572-7	+ TRUSS HEAD SCREW M5X8	1	PC.
111		808633-3	4STROKE INDICATION LABEL (N/L/A as individual part)	1	PC.
112		911213-7	+ PAN HEAD SCREW M5X12	3	PC.
113		451875-4	CYLINDER COVER	1	PC.
114		266440-4	HEX SOCKET HEAD BOLT M5X40	2	PC.
115		265184-3	+TRUSS HEAD SCREW M5X5	1	PC.
116		345915-7	MUFFLER COVER	1	PC.
117		168469-5	EXHAUST MUFFLER	1	PC.
118		345916-5	MUFFLER GASKET	1	PC.
119		324980-9	SPARK ARRESTOR	1	PC.
120		922217-4	HEX SOCKET HEAD BOLT M5X14	4	PC.
121		140419-2	ROCKER COVER COMPLETE	1	PC.
122		162307-3	ROCKER COVER GASKET	1	PC.
124		162274-2	CAM GEAR COVER GASKET	1	PC.
125		318443-5	CAM GEAR COVER	1	PC.
126		922212-4	HEX SOCKET HEAD BOLT M5X12	3	PC.
127		450565-6	OIL GAUGE	1	PC.
128		424100-6	GASKET	1	PC.
129		282020-8	HOSE CLAMP	1	PC.
130		424202-8	OIL TUBE	1	PC.
131		325666-8	OIL WEIGHT	1	PC.
132		162308-1	CASE GASKET	1	PC.
133		318612-8	OIL CASE	1	PC.
134		922217-4	HEX SOCKET HEAD BOLT M5X14	4	PC.
135		266573-5	HEX SOCKET HEAD BOLT M5X33	4	PC.
136		922222-1	HEX SOCKET HEAD BOLT M5X16	4	PC.
137		922112-8	HEX SOCKET HEAD BOLT M4X10	1	PC.

Item No	Type	Part No	Description	Qty	Unit
138		318440-1	RETAINER PLATE	1	PC.
139		346083-9	LEAD VALVE	1	PC.
140		424201-0	CHECK VALVE	2	PC.
141		135373-3	CYLINDER BLOCK ASSEMBLY	1	PC.
	INC.		Item No. 135,136,140,147		
142		125554-7	ROCKER ARM ASSEMBLY	2	PC.
143		325912-9	SPRING RETAINER	2	PC.
144		234181-0	COMPRESSION SPRING 11	2	PC.
145		256200-2	PIN 5	1	PC.
146		256866-8	ROD 2.5	2	PC.
147		424200-2	SPACER	2	PC.
148		268239-3	PIN 4	1	PC.
149		313169-4	CAM LIFTER	2	PC.
150		325913-7	EXHAUST VALVE	1	PC.
151		325914-5	INTAKE VALVE	1	PC.
152		125552-1	CAM GEAR ASSEMBLY	1	PC.
153		268238-5	PIN 5	1	PC.
154		195141-6	PISTON RING SET	1	PC.
155	2	197454-1	PISTON SET	1	PC.
	INC.	318613-6	PISTON	1	PC.
	INC.		INC. 154,157		
156		257796-6	PISTON PIN	1	PC.
157		233983-1	CLIP	2	PC.
158		254040-2	WOODRUFF KEY 3	1	PC.
159		213537-0	OIL SEAL 12	1	PC.
160		267425-3	FLAT WASHER 26	1	PC.
161		125756-5	CRANKSHAFT ASSEMBLY	1	PC.
162		213769-9	OIL SEAL 10	1	PC.
163		125472-9	FUEL TANK CAP ASSEMBLY	1	PC.
	INC.		Item No. 164,165		
164		140435-4	FUEL TANK CAP	1	PC.
165		140436-2	STRAP COMPLETE	1	PC.
166		810455-9	CAUTION PLATE	1	PC.
167		424104-8	DAMPER	1	PC.
168	1	454005-6	FUEL TANK, FLUORIDIZED	1	PC.
	2	123420-2	FUEL TANK ASSEMBLY	1	PC.
	INC.		INC. 163,169,170,173		
169		163447-0	FUEL FILTER	1	PC.
170		345920-4	HOSE CLAMP	1	PC.
171		424103-0	PLATE	1	PC.
172		424102-2	PLATE	1	PC.
173		168771-6	TUBE COMPLETE	1	PC.
174	2	126475-6	RECOIL STARTER ASSEMBLY	1	PC.
	INC.		INC. 175-179, A14		
175		168827-5	PULLEY	1	PC.
176		266580-8	TAPPING SCREW M5X10	1	PC.
177		451923-9	REEL	1	PC.
178		232257-7	SPIRAL SPRING	1	PC.
179		424317-1	STARTER KNOB	1	PC.
181		911218-7	PAN HEAD SCREW M5X14	4	PC.
182		819433-6	MODEL NO. LABEL F/EBH341L	1	PC.
183		162310-4	TANK GUARD	1	PC.
184		266809-2	PAN HEAD SCREW M5X14 W/WR	4	PC.
185		325915-3	INTAKE PIPE	1	PC.
186		413120-5	INSULATOR GASKET	1	PC.
187		213063-9	O RING 10	1	PC.
188		451874-6	INSULATOR	1	PC.
190		346261-1	CARBURETOR INSULATOR	1	PC.
191		922228-9	H.S.H.BOLT M5X18 WITH WR	2	PC.
192		413138-6	CARBURETOR GASKET	1	PC.
193		450562-2	CLAMP	1	PC.

Item No	Type	Part No	Description	Qty	Unit
194		922213-2	HSH BOLT M5X12 W/WR	1	PC.
195		168561-7	CARBURETOR	1	PC.
	INC.		Item No. 196-211		
196		325922-6	SWIVEL	1	PC.
197		413140-9	WASHER	1	PC.
198		257964-1	STOP RING E-3	1	PC.
199	1	266581-6	PAN HEAD SCREW M3X8 W/WR	2	PC.
	2	WJ00096364	SCREW M3X8 WITH WASHER	2	PC.
200		213538-8	O RING 2	1	PC.
201	1	325921-8	JET	1	PC.
	2	592-60070-11	JET #36.5	1	PC.
202		234183-6	CONICAL COMPRESSION SPRING 5-9	1	PC.
203		442155-9	PUMP GASKET	1	PC.
204		WJ00009599	PUMP DIAPHRAGM	1	PC.
205		266582-4	TAPPING SCREW M3X24	4	PC.
206		346270-0	PRIMER PUMP COVER	1	PC.
207		424314-7	PRIMER PUMP	1	PC.
208		140438-8	AIR PURGE BODY	1	PC.
209	4	168620-7	METERING DIAPHRAGM	1	PC.
210		442154-1	METERING DIAPHRAGM GASKET	1	PC.
211		140437-0	PUMP BODY	1	PC.
	INC.		Item No. 212		
212		WJ00014070	INLET SCREEN	1	PC.
213		345918-1	HOSE CLAMP	1	PC.
214		422055-9	BREATHER PIPE	1	PC.
215		422042-8	PIPE	1	PC.
216		125468-0	CLEANER PLATE ASSEMBLY	1	PC.
	INC.		Item No. 217-224, 216C		
216C		140814-6	AIR CLEANER PLATE COMPLETE	1	PC.
217		451925-5	CHOKE LEVER	1	PC.
218		213540-1	O RING 15	1	PC.
219		424316-3	CHECK VALVE	1	PC.
220		213539-6	O RING 14	1	PC.
221		451924-7	CHECK VALVE PLATE	1	PC.
222		424315-5	CHECK VALVE	1	PC.
223		168577-2	SEPARATOR GASKET	1	PC.
224		168576-4	SEPARATOR PLATE	1	PC.
225		450560-6	CHOKE PLATE	1	PC.
226		423376-2	GASKET	1	PC.
227		345919-9	PLATE	1	PC.
228		265188-5	+PAN HEAD SCREW M5X68	2	PC.
229		443140-5	AIR CLEANER ELEMENT	1	PC.
230		443141-3	AIR CLEANER ELEMENT	1	PC.
231		450561-4	AIR CLEANER COVER	1	PC.
232		911218-7	PAN HEAD SCREW M5X14	1	PC.
234		325663-4	ADJUST SCREW	1	PC.
235		808723-2	CAUTION LABEL	1	PC.
236		922353-6	HSH BOLT M6X30	1	PC.
E01		819432-8	CAUTION TAG (10 LANGUAGES)	1	PC.
E03		808723-2	CAUTION LABEL	1	PC.
<b>ACCESSORIES</b>			<b>- See Catalogue or visit <a href="http://www.makita.ca">www.makita.ca</a> for more accessories -</b>		
A01		B-05125	available)	1	PC.
		B-05131	BUMP&FEED 5 HEAD ASSY LH (Parts Breakdown available)	1	PC.
A02		125516-5	BAND ASSEMBLY (SHOULDER HARNESS)	1	PC.
A03		783013-3	BOX DRIVER 16-17	1	PC.
A04		783217-7	HEX WRENCH 5	1	PC.
A05		783202-0	HEX WRENCH 4	1	PC.
A07		831304-7	ACCESSORY BAG	1	PC.
A10		-----	ENGINE OIL SET	1	PC.



<b>Item No</b>	<b>Type</b>	<b>Part No</b>	<b>Description</b>	<b>Qty</b>	<b>Unit</b>
A11		452259-9	PROTECTIVE GUARD	1	PC.
	INC.		Item No. 48,49		
A12		135398-7	PROTECTIVE GUARD EXT. ASSY	1	PC.
A13		168534-0	SPARK PLUG	1	PC.
A14		444018-5	STARTER ROPE DIA.3.8MM X 0.7M	1	PC.
A15		197678-9	ENGINE MAINTENANCE KIT F/EH025, EH035	1	PC.
	INC.		Item No.169, 229, 230, A13		